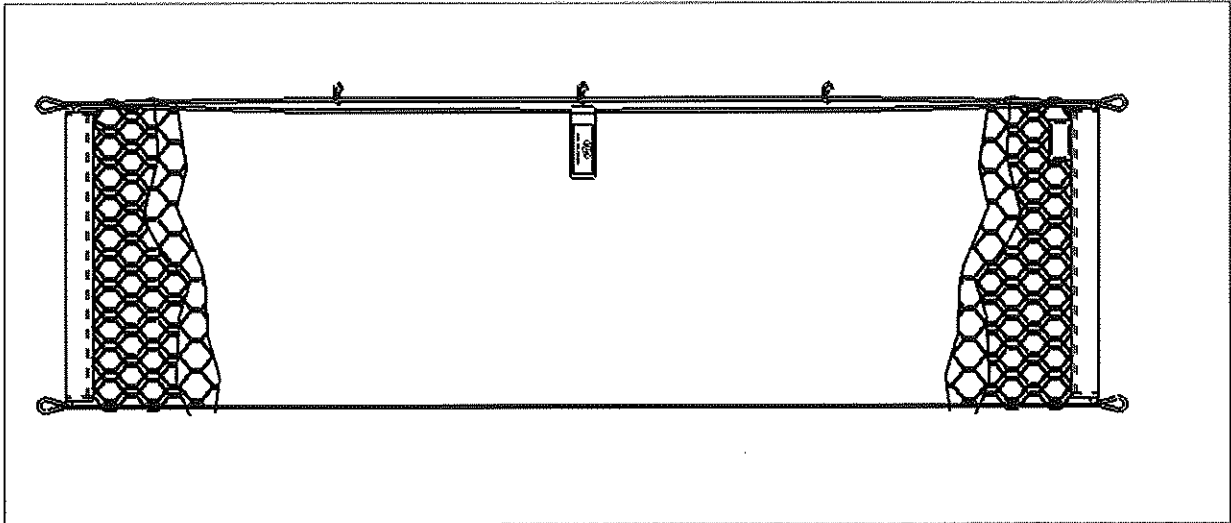


KMA Genuine Approved Accessories (Preparation)

Kit Overview

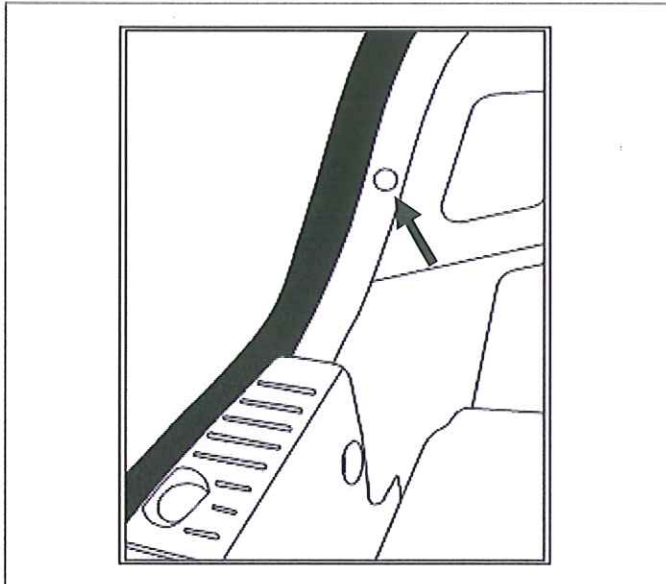


No.	Qty.	Description	No.	Qty.	Description	No.	Qty.	Description
1	1	Cargo Net	9			17		
2			10			18		
3			11			19		
4			12			20		
5			13			21		
6			14			22		
7			15			23		
8			16			24		

Hardware Overview

A		F		K		P		U	
1	Installation Instructions								
B		G		L		Q		V	
4	Black T-Anchors								
C		H		M		R		W	
4	Weld Stud								
D		I		N		S		X	
2	Plastic Washer								
E		J		O		T		Y	
								Hardware Kit Total	
								11	

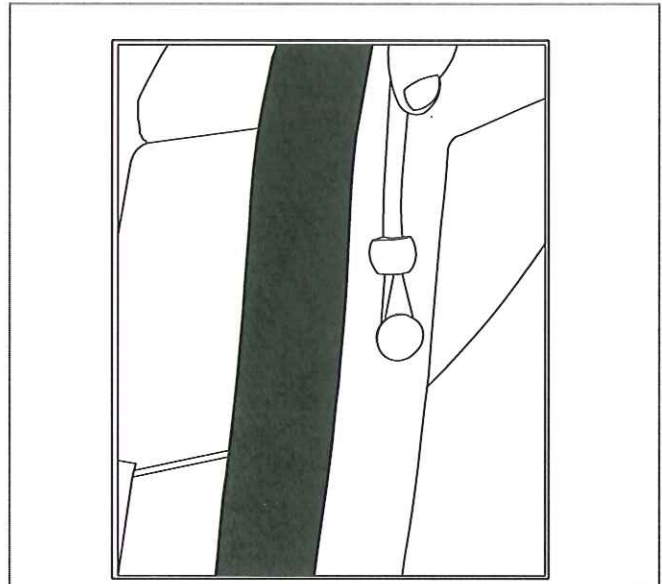
KMA Genuine Approved Accessories (Installation of Upper T-Anchors)



1

**N
O
T
E**

1. Locate the panel fastener shown on the driver side.



2



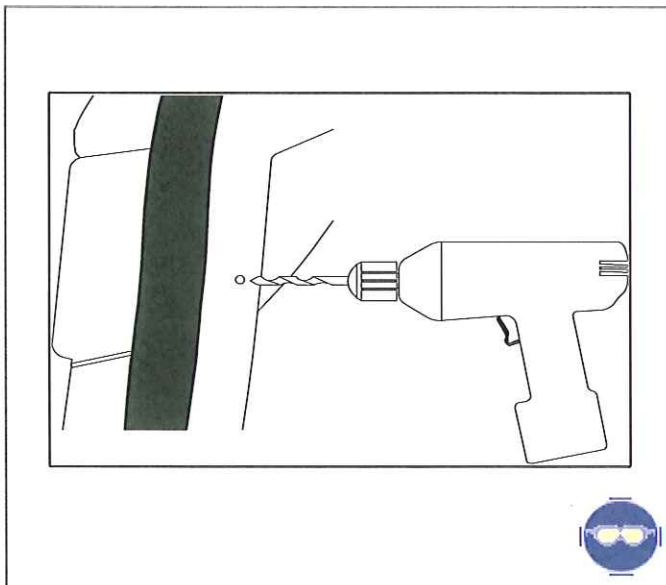
Clip Removal Tool

**N
O
T
E**

1. Using a clip removal tool, remove the clip and discard.



DO NOT allow the clip removal tool to press against the rubber seal.



Drill, 1/4" (6.35mm) drill bit & drill stop.

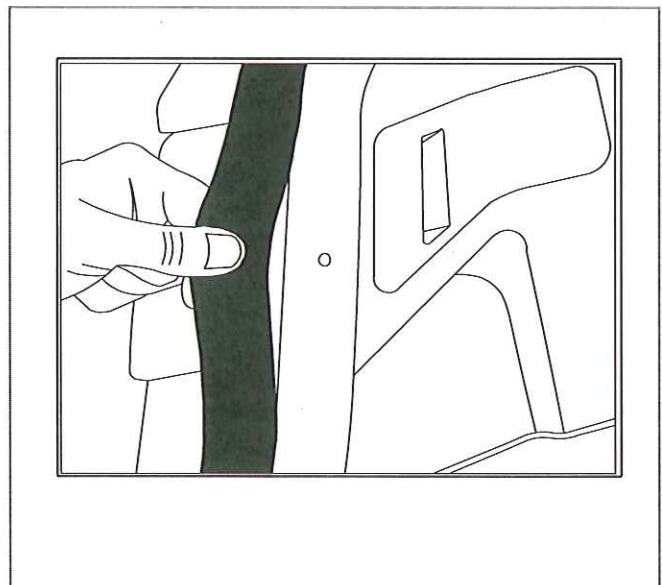
3

**N
O
T
E**

1. Using a drill and 1/4" (6.35mm) drill bit with drill stop set to 1/2" depth, enlarge the fastener hole. Press gently when drilling to reduce risk of drill bit jamming or damage to trunk liner.



DO NOT oversize holes when performing this step.

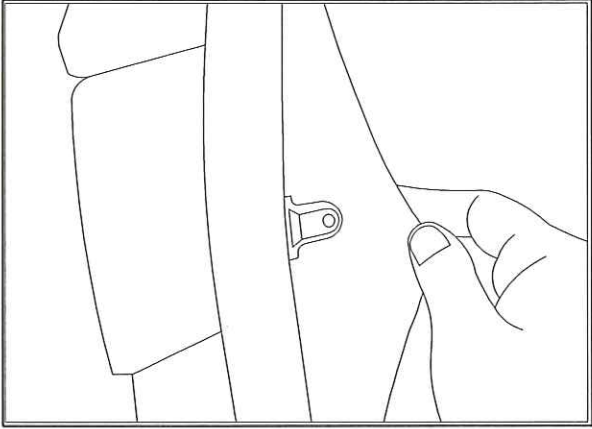


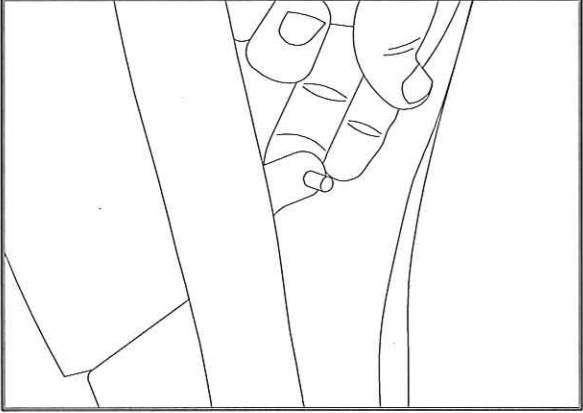
4

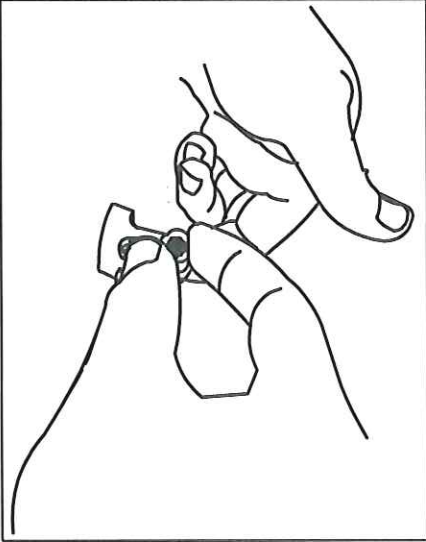


**N
O
T
E**

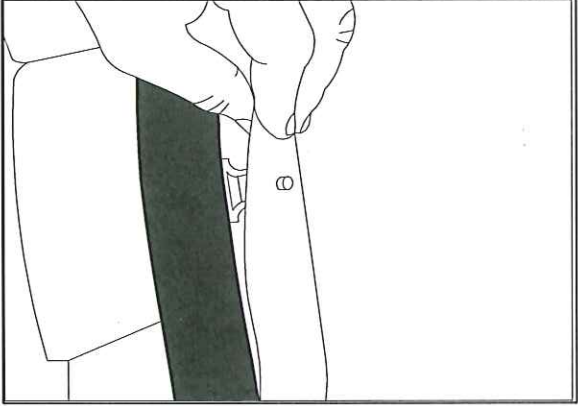
1. Gently pull the rubber trunk seal outward to expose edge of trunk liner.

KMA Genuine Approved Accessories (Installation of Upper T-Anchors)

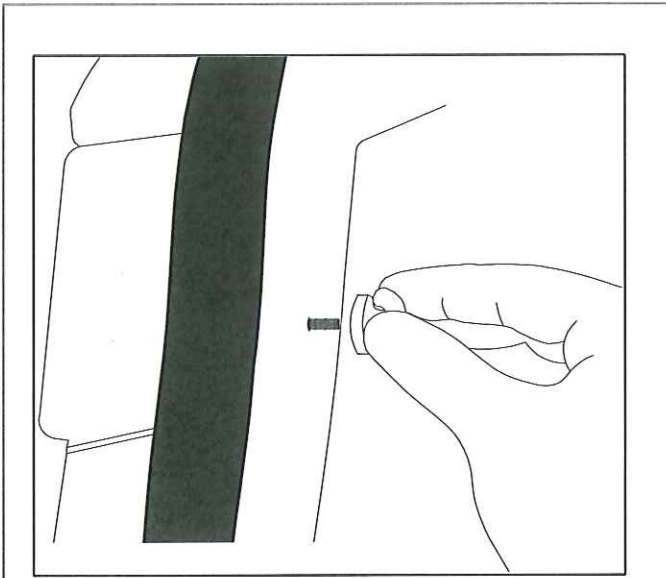
	5
<b style="writing-mode: vertical-rl; transform: rotate(180deg);">NOTE	1. Pull back trunk liner to allow access to metal mounting tab.

	6
<b style="writing-mode: vertical-rl; transform: rotate(180deg);">NOTE	1. Insert weld stud from behind into metal mounting tab and hold in place.

	7
<b style="writing-mode: vertical-rl; transform: rotate(180deg);">NOTE	1. While holding weld stud firmly from behind, push plastic washer over the threaded end.
	Ensure you have fully seated the plastic washer tightly against the metal tab.
	Use caution when installing the well stud so it does not fall out or drop while securing the plastic washer.

	8
<b style="writing-mode: vertical-rl; transform: rotate(180deg);">NOTE	1. Carefully line up the hole in the trunk liner and pull over the installed weld stud.

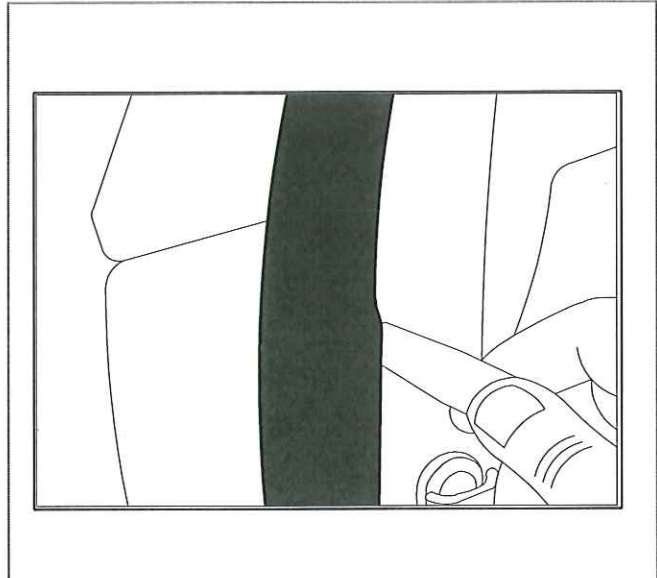
KMA Genuine Approved Accessories (Installation of Upper T-Anchors)



9

NOTE

1. Screw t-anchor onto weld stud.

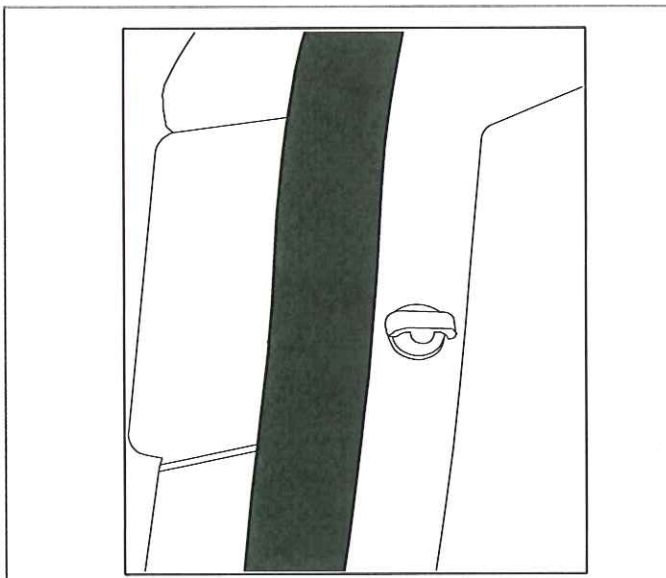


Panel Removal Tool

10

NOTE

1. Align channel of rubber seal with metal lip and push to install. Push firmly along entire edge to ensure it is correctly seated. If required, wrap the edge of the panel removal tool with a piece of vinyl tape to protect the rubber seal.

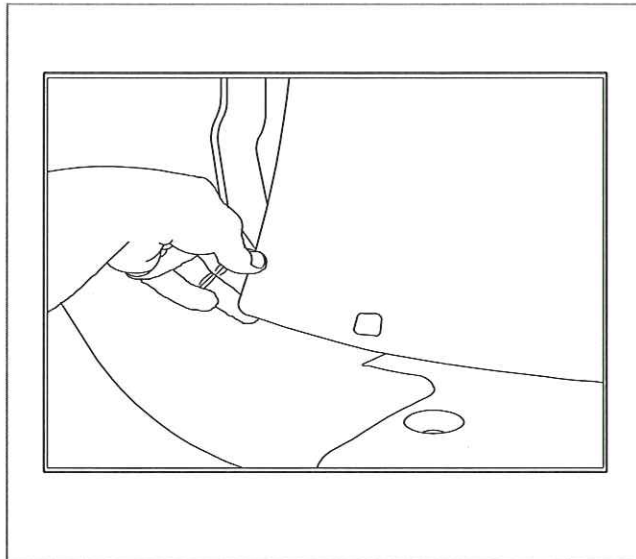


11

NOTE

1. After seal is installed, ensure t-anchor is aligned as shown above.
2. Repeat steps 1 through 11 on passenger side of the vehicle.

KMA Genuine Approved Accessories (Installation of Lower T-Anchors)



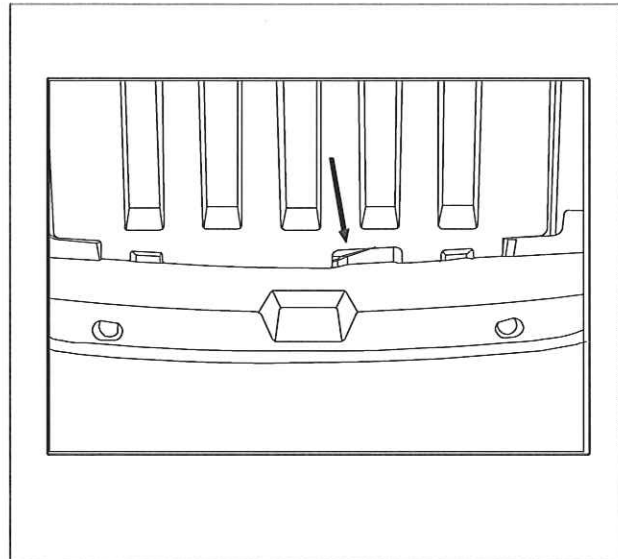
1

NOTE

1. Grasp corner of trunk floor carpet and lift out of vehicle. Place on a clean dry area.



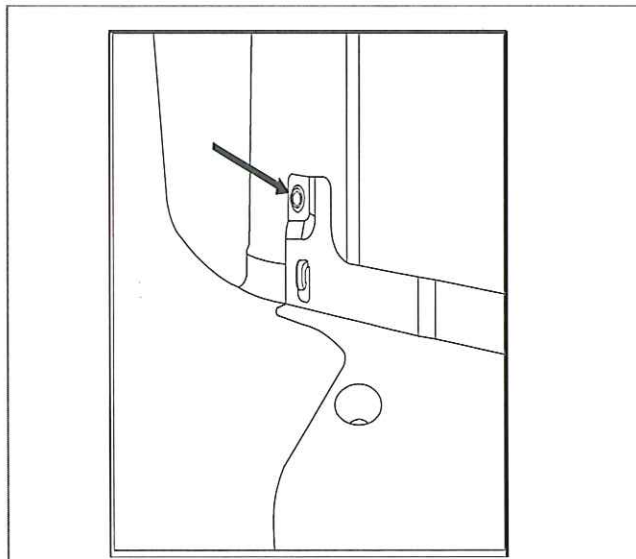
Place trunk floor on a clean dry area.



2

NOTE

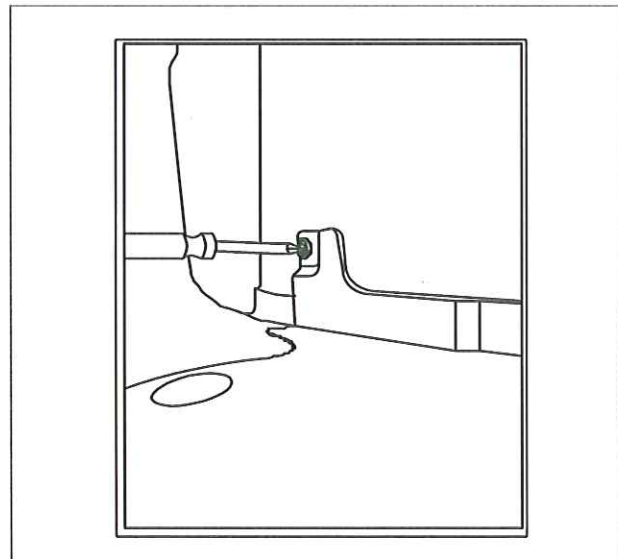
1. Using the notch identified above, lift and gently manipulate the trunk floor upward and remove from the vehicle.



3

NOTE

1. Locate the sill plate panel Phillips push anchor, close to the spare tire well.



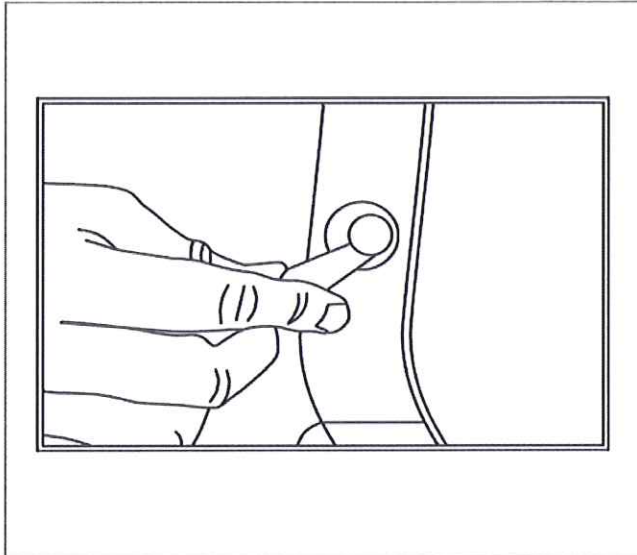
Phillips Screwdriver

4

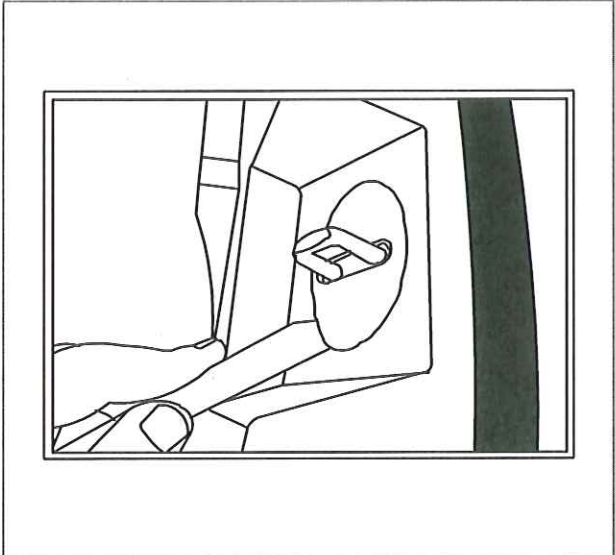
NOTE

1. Using a Phillips screwdriver, loosen the push anchor on both sides of the sill plate, using your fingers (or panel removal tool), pull the anchors out and retain for reassembly.

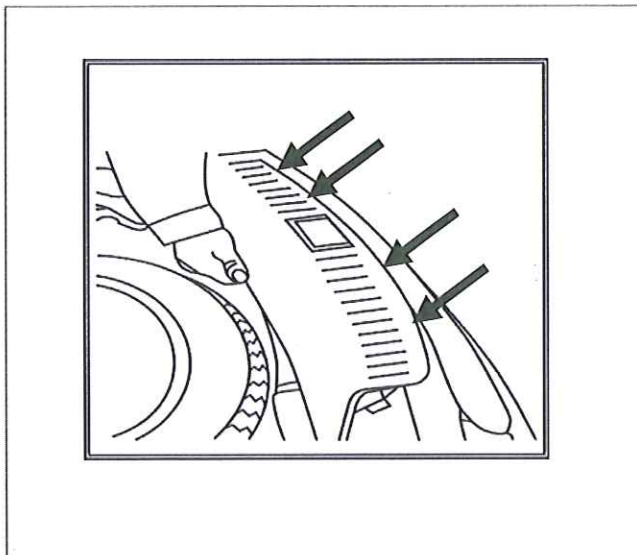
KMA Genuine Approved Accessories (Installation of Lower T-Anchors)



	Panel Removal Tool	5	
N O T E	<p>1. Locate the plastic panel fastener on the driver side of rear sill plate and carefully remove with a panel removal tool. Retain for reassembly.</p> <p>2. Repeat on passenger side.</p>		



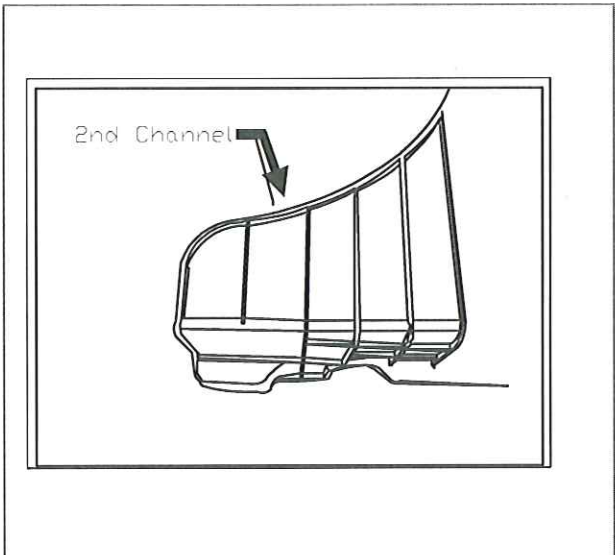
	Panel Removal Tool	6	
N O T E	<p>1. Using a panel removal tool, remove the trim panel around the trunk latch. Retain for reassembly.</p>		



	Clip Removal Tool	7	
N O T E	<p>1. Using your fingers, gently pull up on the sill plate high enough to slide a clip removal tool under. Then, using the clip removal tool, locate the four clips under the sill plate and gently pry the clips up.</p> <p>2. using your hands, gently lift the panel off the vehicle</p>		

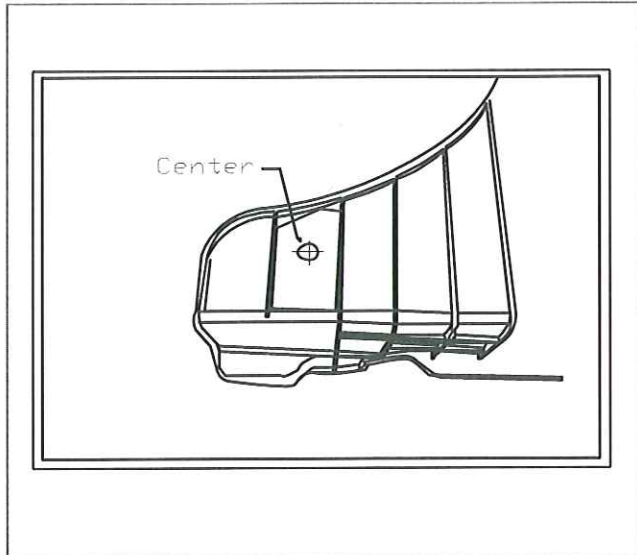


Rear sill plate has four mounting clips. After removal of sill plate, ensure the clips remain on the sill plate. Place the rear sill plate onto a clean, dry surface to prevent scratching when performing steps 8 through 13.



		8	
N O T E	<p>1. Look at the back of the sill plate and locate the second channel from the outboard edge on both sides as indicated above.</p>		

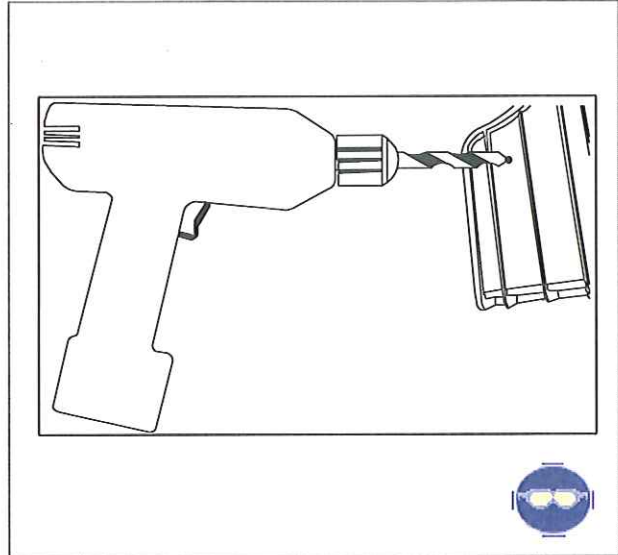
KMA Genuine Approved Accessories (Installation of Lower T-Anchors)




 Paper Template & Awl 9

NOTE

1. Using the paper template, place it inside the second channel on the rear sill plate.
2. Using an awl, mark the location of the drill hole in the second channel through the template.
3. Repeat for opposite side.



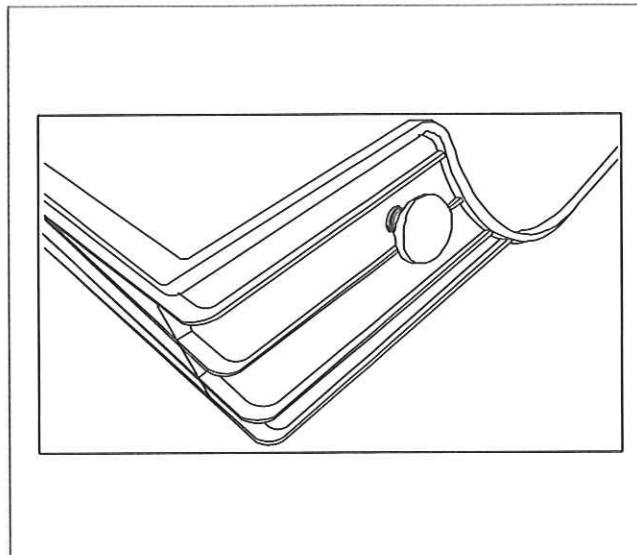
 Drill & 1/4" (6.35mm) Drill Bit 10

NOTE

1. Using a drill and 1/4" (6.35mm) drill bit, drill a hole on the locations marked in step 9.
2. Drill both the passenger and driver's side of the panel.



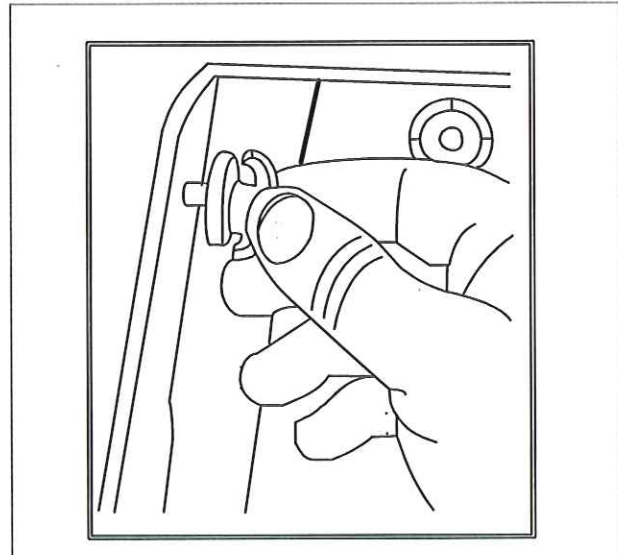
DO NOT oversize holes when performing this step.



11

NOTE

1. Using only your hands, press weld stud into position as shown above. Confirm weld stud is seated completely onto the rear sill plate.



12

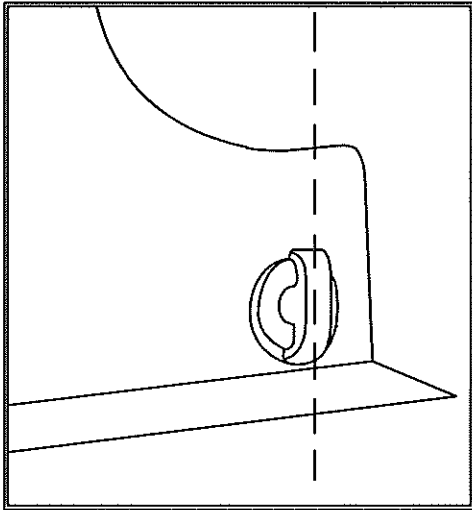
NOTE

1. Install/tighten t-anchor onto weld stud as shown above, (hold weld stud in place as needed). Repeat on other side.



DO NOT over-tighten t-anchors.

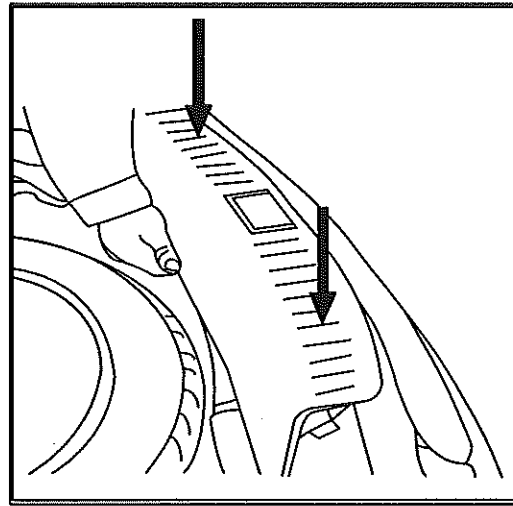
KMA Genuine Approved Accessories (Installation of Lower T-Anchors)



13

NOTE

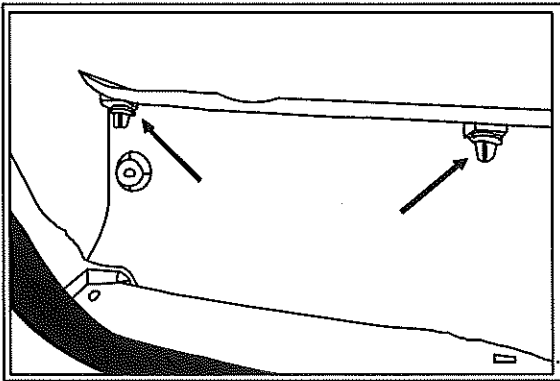
1. Ensure when the t-anchors are tightened, they are oriented as shown above. Adjust as necessary.



14

NOTE

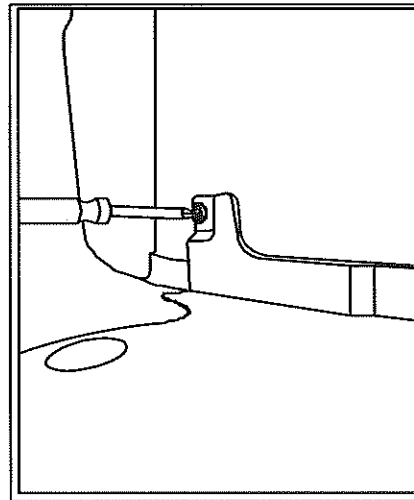
1. Lower the rear sill plate back into its original position as shown above.



15

NOTE

1. Prior to locking into position, ensure the bottom sill plate plastic fasteners are aligned correctly as shown above. After confirming, push down to snap all four fasteners into place.



16

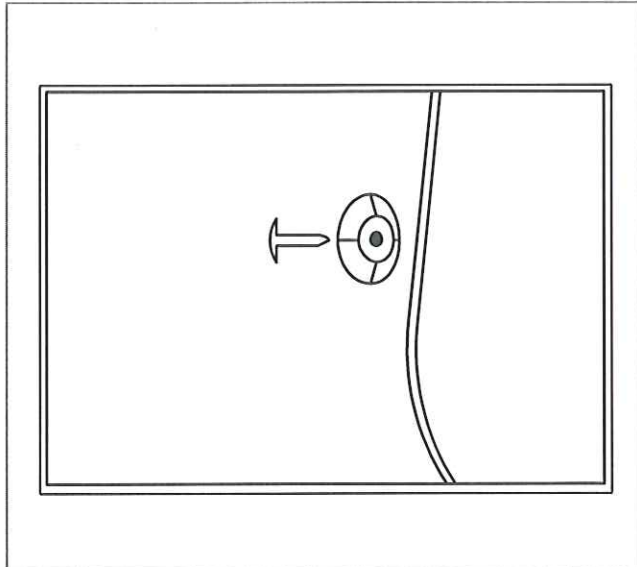


Phillips Screwdriver

NOTE

1. Reinstall the two rear sill plate panel Phillips push anchors originally removed in step 4.

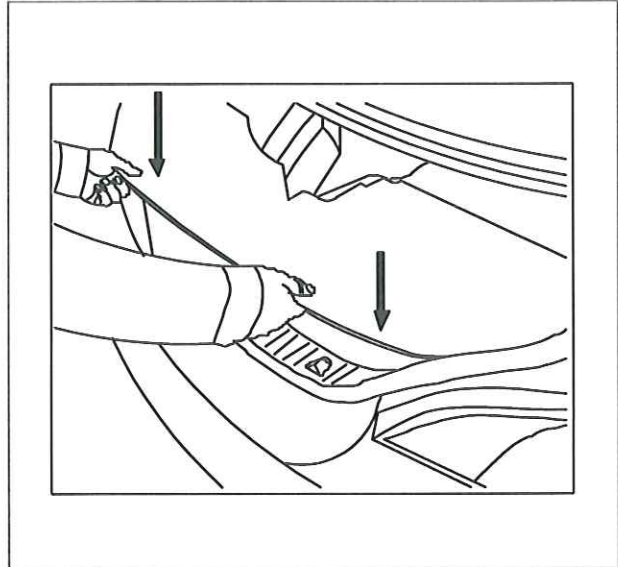
KMA Genuine Approved Accessories (Installation of Lower T-Anchors)



17

**N
O
T
E**

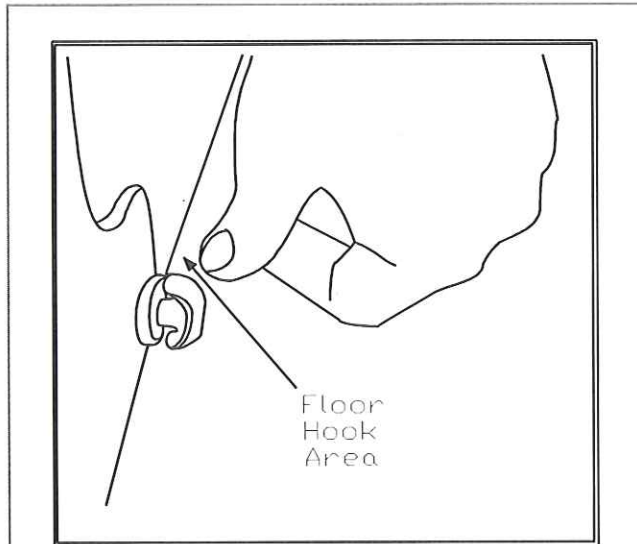
1. Install the plastic panel fasteners removed in step #5. Push firmly to seat fully.
2. Install the plastic trunk latch trim removed in step #6. Push firmly to seat.



18

**N
O
T
E**

1. Install the trunk floor and trunk carpet into the trunk as shown above.



19

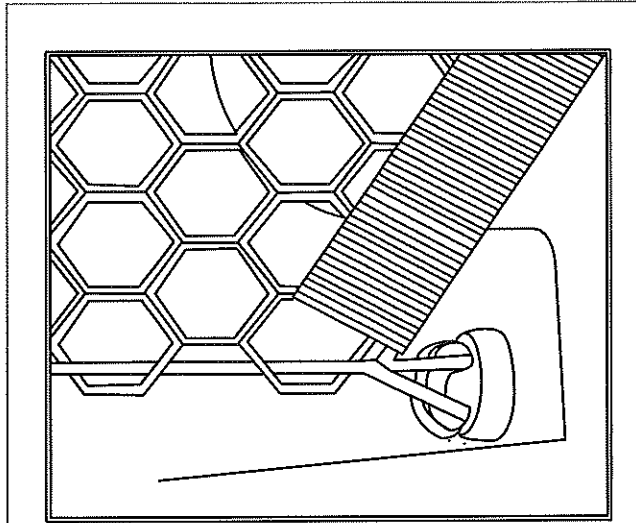
**N
O
T
E**

1. Ensure the trunk floor carpet is tucked under the floor hooks as shown above.



Ensure the trunk carpet is fitted correctly.

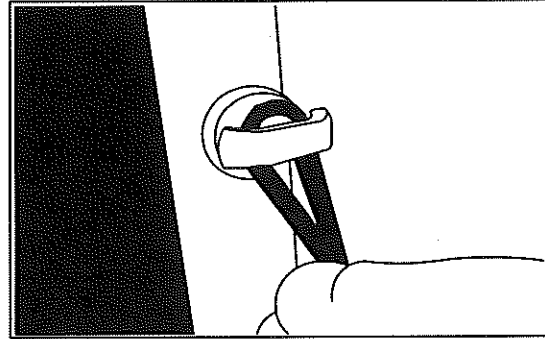
KMA Genuine Approved Accessories (Installation of Cargo Net)



1

NOTE

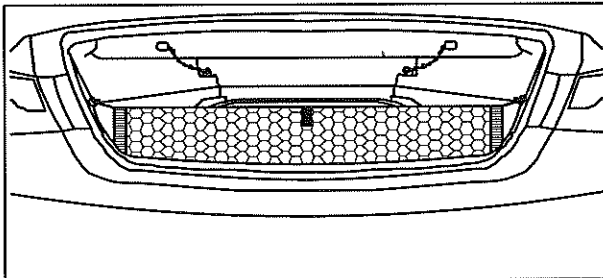
1. Orient the net so the opening is in the up position and the pull tab is facing rearward.
2. Attach both lower bungee loops first as shown above.



2

NOTE

1. Attach both upper loops as shown above.

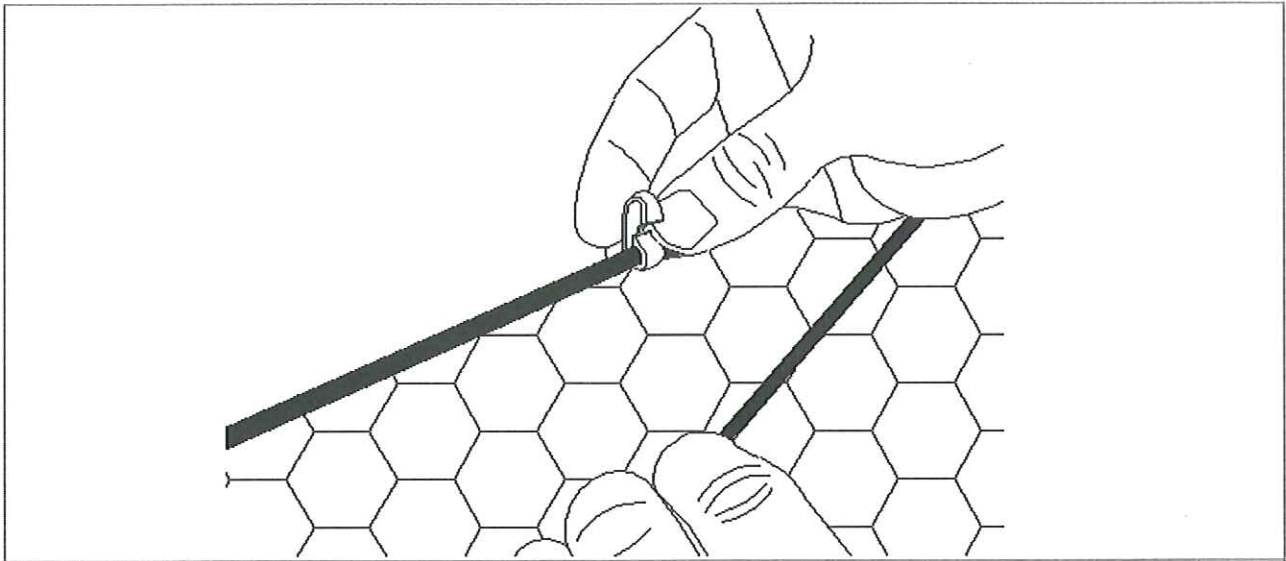


3

NOTE

1. Correctly installed cargo net.

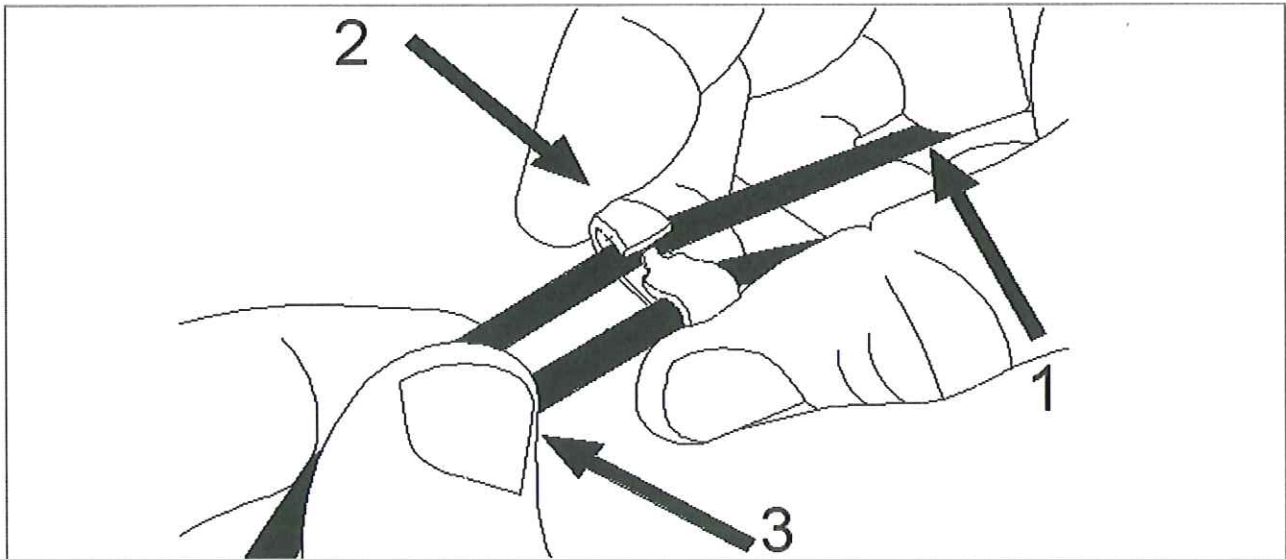
KMA Genuine Approved Accessories (Use of Cargo Net Hook Clips)



1

**N
O
T
E**

Locate the three hook clips located along the top of the cargo net.



2




**N
O
T
E**

1. Grasp the bungee cord you will be sliding into the clip and wrap two or three fingers around to hold securely.
2. With the same hand, use your index finger and thumb to hold the hook clip.
3. With the other hand, grasp the bungee and while pulling away from the hook clip, slide the bungee up into the clip to fasten or pull out of the clip to unfasten.











Ensure bungee is fully seated in hook clips.

KMA Genuine Approved Accessories (Function Check)

	Items To Be Checked	Results of the Check
	Pull handle location.	Pull handle to face rear of vehicle.
	Ensure the four t-anchors are tight and correctly oriented.	
	Ensure bungee loops are secure to all t-anchors.	Bungee loops secure to all t-anchors.

KMA Genuine Approved Accessories (Visual Check)

	Items To Be Checked	Results of the Check
	Net opening.	Net opening must be at the top.
	Confirm all debris is removed from the vehicle.	
	Confirm all panels are correctly reinstalled in the vehicle.	
	Confirm the trunk floor is correctly reinstalled in the vehicle.	
	Confirm all customer belongings are placed back into the vehicle trunk.	
	Ensure ALL tools are removed from the vehicle.	
	Ensure trunk is closed and latched.	
	Installation Instructions.	Ensure Installation Instructions are placed in glove compartment.

KMA Genuine Approved Accessories (Drilling Template)

**NOTE: This template is for the Driver's Side of the vehicle.
Please save & flip over for use on the Passenger side of the vehicle.**

